



ACE

The Ace is a stylish pole-mounted floodlight which delivers precise asymmetric light control. This Australian-made square floodlight is ideal for tennis courts and commercial applications. It utilises metal halide technology and its precise optics direct light to where it is needed. A key feature is the sharp cut-off of light behind the installation point preventing light pollution and glare in urban settings.

Two-phase and three-phase versions are available - all with integral control gear.

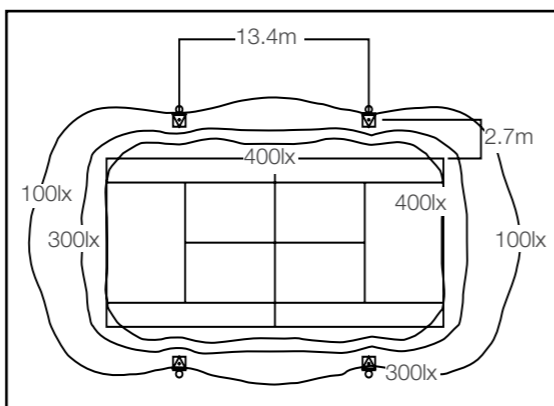
FEATURES

- Aluminium body, pre-treated and powder coated for durability
- Lens – impact resistant clear safety glass
- Pure and polished anodised aluminium reflector
- Distribution – asymmetrical
- Captive stainless steel fixings
- Mounting – single pole, double pole or wall
- Terminal block is fused for individual fault protection
- Hinged toughened glass lens allows easy access for lamp changes and maintenance
- Other standard colours include silver and white, additional colours available on request.

PRODUCT CODES

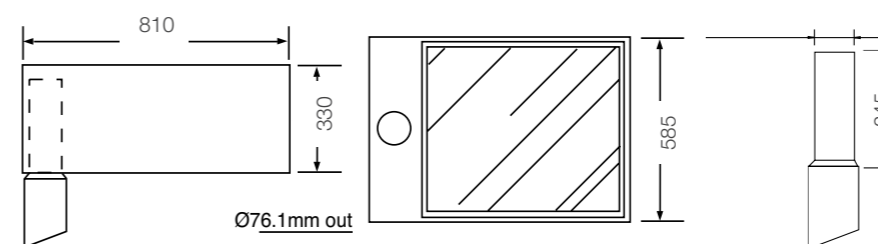
Ace supplied complete with lamp and integral ferromagnetic control gear

Code	Wattage	Lamp Type	Distribution	Finish	Voltage
203800	1000	MH	Asymmetrical	Black	240V Two-Phase
203820	1000	MH	Asymmetrical	Black	415V Three-Phase



CLASSIC TENNIS COURT DESIGN POLE H=8M

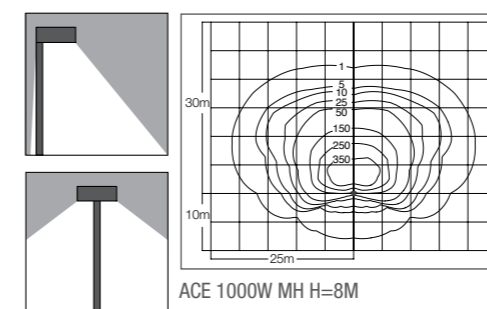
DIMENSIONS Measurements mm



INSTALLATION & SCALE



VISUALISATION



ACE 1000W MH H=8M



IP44



Class I



36 kg